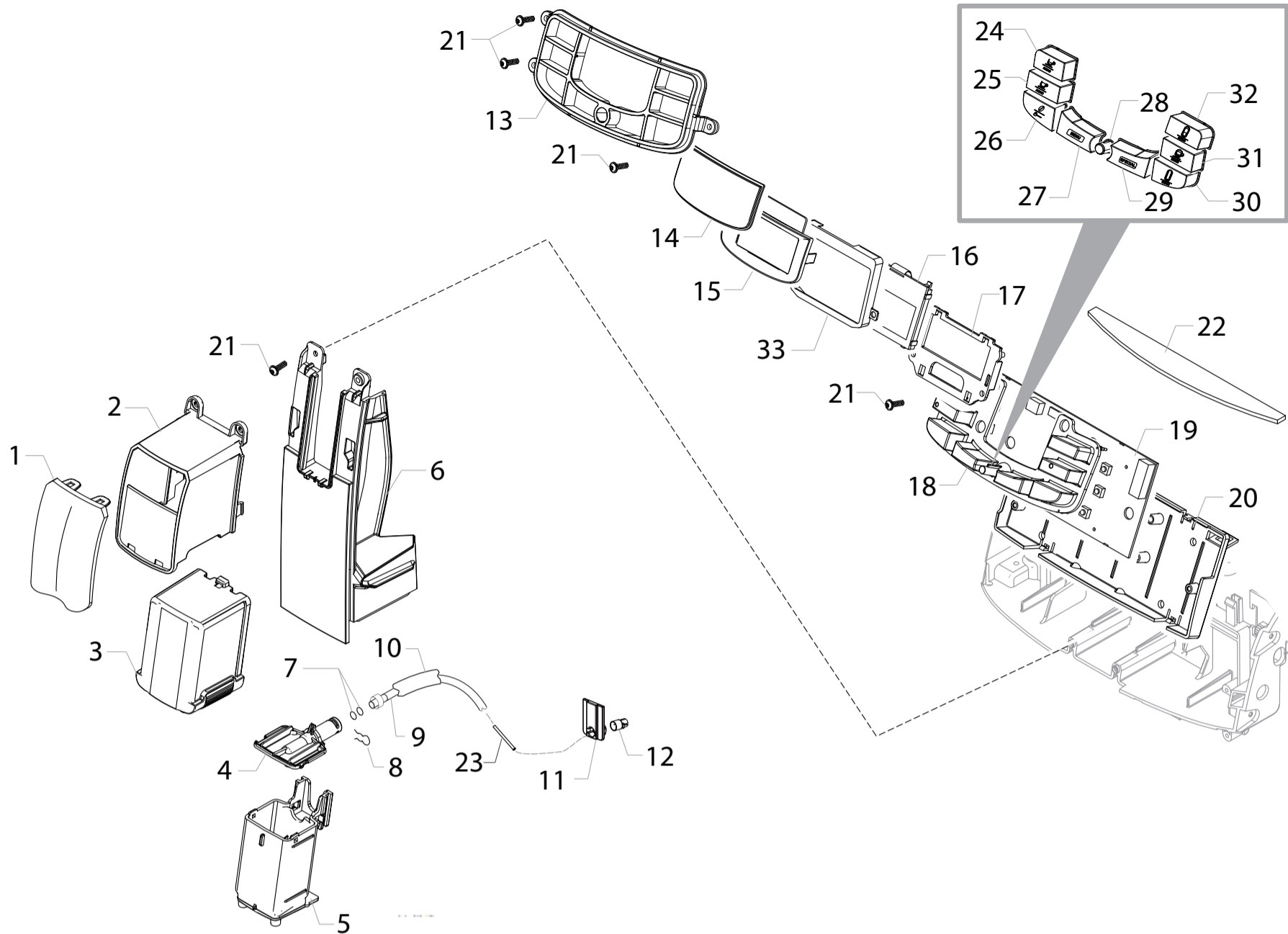


Saeco
INTERNATIONAL GROUP

HD8754/11-13-19

Cod.10004224-25-26

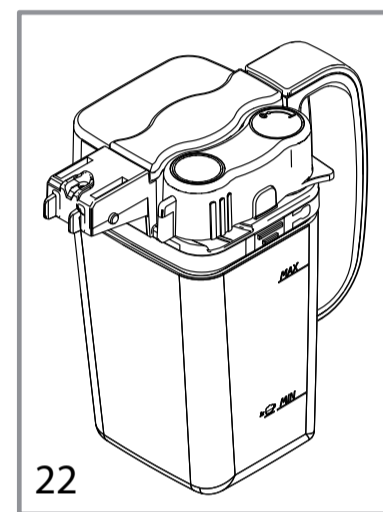
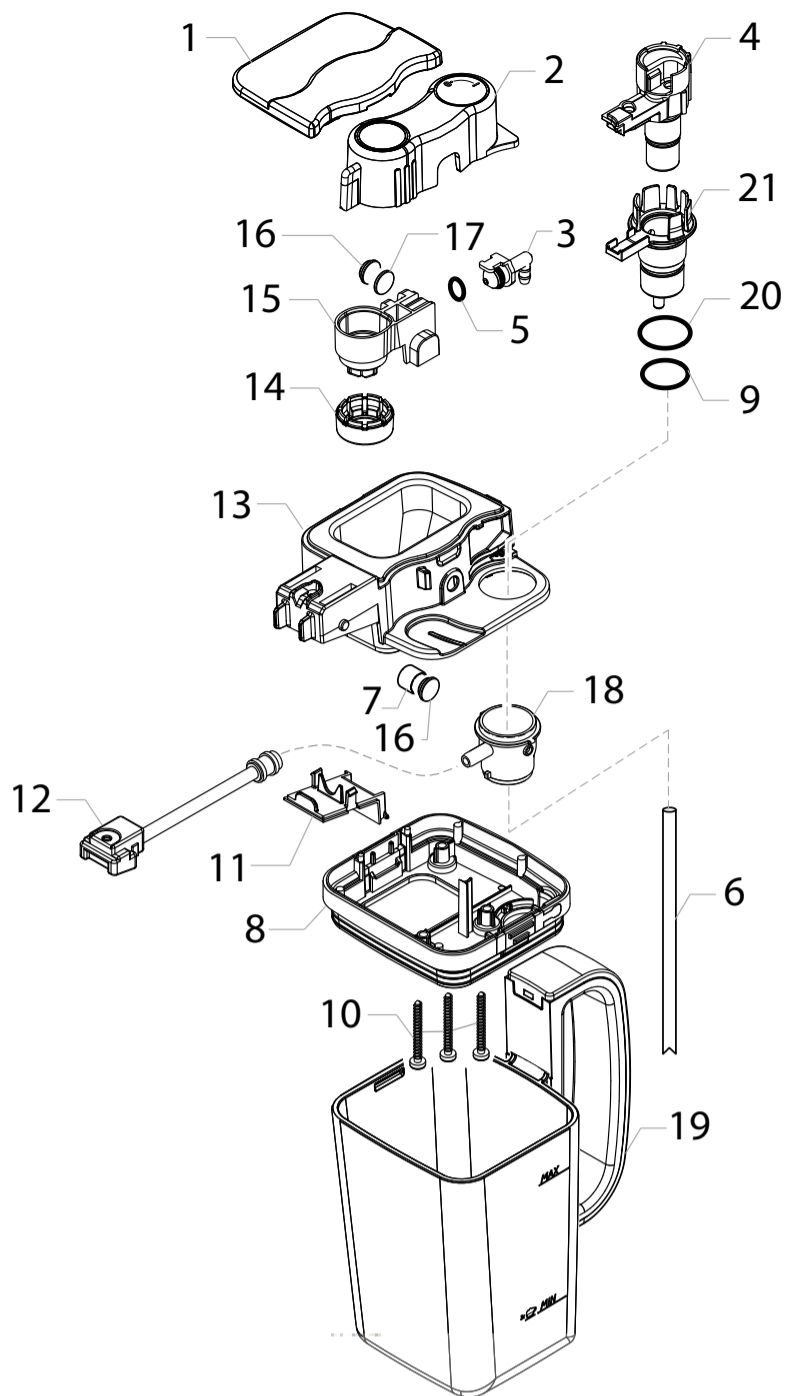
POS	CODE	12NC	DESCRIPTION	NOTE	POS	CODE	12NC	DESCRIPTION	NOTE
51	U207.004	996530062034	PLAIN WASHER 4,3X16 UNI 6592 GAL						
52	11013220	996530069857	STEEL PLATE FOR DOOR MAGNET XSM						
53	9161.111	996530050555	MAGNET FOR FLOAT SUPERAUT.						
54	17000838	996530069839	BLACK DRIP TRAY COVER NPR/T						
55	129913202	996530013156	SCREW TCB TORX 10 3X8 PLAST.ZN-B						
56	11007605	996530004447	2POLES CONNECTOR SENSOR REED DOOR G0053						
57	12001728	996530070321	SCREW TCBR TORX 10 3,5X12 PLAST.SS						
58	NE05.013	996530058847	MICROSWITCH SAIA XGK52-81-J23						
59	17000064	996530067437	BLK CAPACIT.SENSOR DEADLOCK INSERT XSM						
60	127390100	996530011867	BRUSH FOR CLEANING						
61	17001273	996530072865	BLK DRIP TRAY PRESENCE SENSOR SUPP.NPR/E						



HD8754/11-13-19

Cod.10004224-25-26

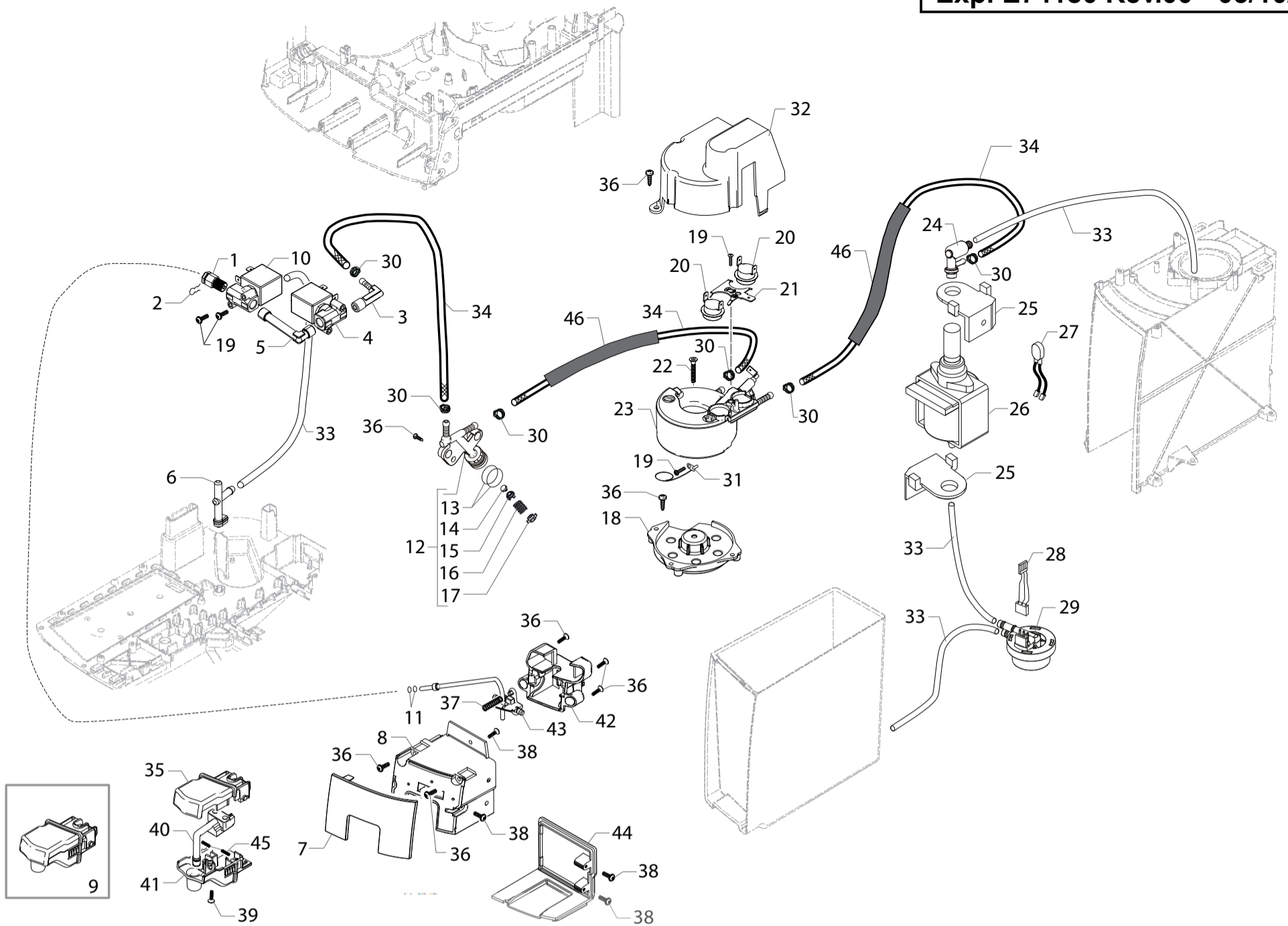
POS	CODE	12NC	DESCRIPTION	NOTE	POS	CODE	12NC	DESCRIPTION	NOTE
01	11028589	996530070369	SS COF.DISPENS.FRONT PLATE NPR/HT-TM ASSY						
02	11030355	996530072499	ANTHRAC.COFFEE DISPENSER LID NPR						
03	17001242	996530068698	BLACK COFFEE DISPENSER MOBILE PART NPR						
04	17001246	996530068742	BLACK COFFEE DISPENSER BODY LID NPR						
05	17001894	996530071881	BLACK COFFEE DISPENSER BODY V2 NPR						
06	11028558	996530070368	SS FRONT CASING COVER NPR/HM ASSY.						
07	140328059	996530013564	OR 2015 SILICONE PTFE/FDA						
08	9011.144	996530048885	SS FORK FOR TUBE D=4						
09	11004132	996530002073	TEFLON TUBE 2X4 L=250 MM ASSY.						
10	149361200	996530018278	BLACK SILICONE TUBE 7,5X9,3	IN ROLL					
11	11005100	996530002748	PLATE FOR BUSH TEFLON TUBE 2X4 P124						
12	11005101	996530002749	BLACK BUSH FOR TEFLON TUBE 2X4 P124						
13	11029162	996530072811	CHROM.TOUCH PANEL FRAME NPR/E						
14	17001112	996530068675	TRANSP.GLASS FOR DISPLAY NPR						
15	17001111	996530068673	BLACK DISPLAY FRAME NPR						
16	12001630	996530068064	GRAPHIC DISPLAY NPR						
17	17001100	996530068682	BLACK DISPLAY SUPPORT NPR						
18	17000961	996530072807	TRANSP.9BUTTONS TOUCH PANEL NPR/E						
19	11028511	996530072817	KYB - INTERFACE NPR/E						
20	11030078	996530071879	BLACK DISPLAY KEYBOARD SUPPORT V2 NPR						
21	12000450	996530007819	SCREW TCBR TORX 10 3,5X12 PLAST.ZN-N						
22	17001379	996530069814	BLACK ADHESIVE AERSTOP NPR						
23	17000266	996530071774	SS.L=22,6MM INT.BUSH FOR TEFLON TUBE D4						
24	11030702	996530072825	CRC ESPRESSO BUTTON S/SCR.NPR/E						
25	11030705	996530072824	CRC COFFEE BUTTON S/SCR.NPR/E						
26	11030706	996530072839	CRC AROMA BUTTON S/SCR.NPR/E						
27	11030707	996530072843	CRC MENU BUTTON S/SCR.NPR/E						
28	11029164	996530072859	TRANSP.STAND-BY BUTTON S/SCR.NPR/E						
29	11030711	996530072847	CRC SPECIAL BUTTON S/SCR.NPR/E						
30	11030710	996530072854	CRC MILK BUTTON S/SCR.NPR/E						
31	11030709	996530072814	CRC CAPPUCINO BUTTON S/SCR.NPR/E						
32	11030708	996530072833	CRC MILK MACCH.BUTTON S/SCR.NPR/E						
33	17001476	996530072815	BLACK DISPLAY SEAL NPR/E						



HD8754/11-13-19

Cod.10004224-25-26

POS	CODE	12NC	DESCRIPTION	NOTE	POS	CODE	12NC	DESCRIPTION	NOTE
01	17001743	996530072681	SS/BLK CARAFE COVER PLUG NPR/T ASSY.						
02	11029888	996530072676	BLACK CARAFE CAPPUC.COVER V3 NPR/T						
03	17001194	996530069788	CARAFE STEAM OUTPUT CONNECT.NPR/T ASSY.						
04	11029885	996530072696	BLACK CAPPUC.PIN V2 NPR/T ASSY.						
05	NM01.028	996530059392	O-RING 106 SILICONE						
06	11030347	996530072809	SILICONE TUBE 3,5X6 L=105 MM						
07	9161.111	996530050555	MAGNET FOR FLOAT SUPERAUT.						
08	11030762	996530072645	MATT/BLACK LOWER COVER PART CARAFE NPR/T						
09	12001804	996530072691	OR ORM 0170-15 EPDM						
10	129914002	996530013165	SCREW TCB TORX 10 3,5X16 PLAST.ZN-B						
11	17001103	996530069822	BLACK REAR CARAFE COVER INSERT NPR/T						
12	17000585	996530069827	BLACK CARAFE MILK DISPENSER TUBE NPR/T						
13	11030761	996530072649	MATT/BLACK UPPER COVER PART CARAFE NPR/T						
14	17000822	996530069837	BLK CAPPUC.OUTPUT MILK CONN.CARAFE NPR/T						
15	17000489	996530069847	BLACK CARAFE CAPPUC.CASING NPR/T						
16	11014016	996530006968	SS.INSERT FOR MAGNET MYB9						
17	9991.093	996530051816	MAGNET D=9,5 X H=1,5						
18	17001604	996530071934	BLACK CARAFE COVER BUSH V2 NPR/T						
19	20007115	996530072835	SPARES KIT SS/BLK CARAFE HANDLE V2 NPR/E						
20	12001801	996530072674	OR ORM 0190-20 EPDM						
21	17001815	996530072667	BLACK CAPPUC.PIN SUPPORT V2 NPR/T						
22	11029169	996530072863	TRANSP-BLK GEN.CARAFE NPR/E ASSY.						



HD8754/11-13-19

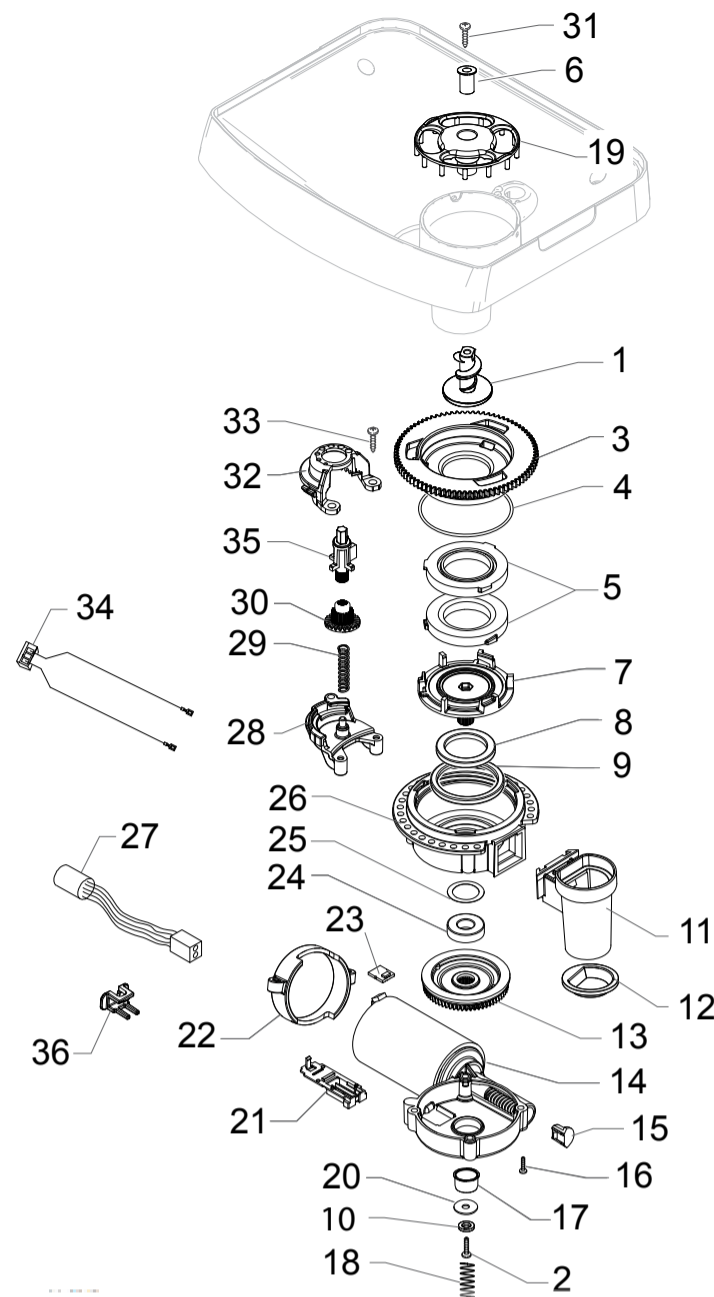
Cod.10004224-25-26

POS	CODE	12NC	DESCRIPTION	NOTE	POS	CODE	12NC	DESCRIPTION	NOTE
01	11027572	996530072695	L-F/BRASS CONNECTOR 1/8" FOR TUBE D=4		38	12001728	996530070321	SCREW TCBR TORX 10 3,5X12 PLAST.SS	
02	9011.144	996530048885	SS FORK FOR TUBE D=4		39	129913902	996530013164	SCREW TCB TORX 10 3X12 PLAST.ZN-B	
03	17001269	996530070397	L-F/BRASS 90°CONNECT.FOR FAUCET EV.NPR/T		40	17001215	996530069842	BLACK HOT WATER DISPENSER TUBE NPR/T	
04	11024038	996530067667	BRASS 2WAY EV 21JN1RRV20-XT+LBV05024CU		41	17001205	996530069867	BLK LOWER BODY HOT WATER DISPENS.NPR/T	
05	11027571	996530072692	L-F/BRASS 90° CONNECTOR FOR FAUCET EV.		42	17000601	996530069855	BLACK CARAFE GRAFT BODY INSERT NPR/T	
06	17000980	996530067657	BLACK WATER DRAINAGE CONNECTOR XSMC		43	11027510	996530069851	WHT PREFORM.TEFLON TUBE SUPP.NPRASSY.	
07	11028591	996530070396	SS CARAFE INS.BODY FRONT COVER NPR/TMAS		44	17001142	996530069799	BLK CARAFE INSERT BODY REAR COVER NPR/T	
08	17000600	996530069804	BLACK CARAFE INSERT BODY NPR/T		45	11005395	996530002873	MILK CONTAINER SUPPORT SPRING P124	
09	11030356	996530072701	ANTHRAC.HOT WATER DISPENSER NPR/T ASSY.		46	16000540	996530009523	TRANSPAR.10,5X12,3 SILICONE TUBE	IN ROLL
10	11024039	996530067613	3WAY EV OT57 (31JN1XRV20-SXT+LBV05024CU)			11026286	996530068717	HP/SLIM TUB.BOILER STD 1900W 230V ASSY. WITH PART.N°19 - 20 - 21 - 23 - 31	
11	140328059	996530013564	OR 2015 SILICONE PTFE/FDA						
12	17000114	996530068077	FLOW SELECTOR FAUCET NPR						
13	12000893	996530007948	OR ORM 0120-20 BLACK EPDM						
14	11008104	996530004722	MUSHROOM VALVE FOR FLOW SELECTOR P0057						
15	11008105	996530004723	FLOW SELECTOR VALVE SUPPORT P0057						
16	11008077	996530004709	STEEL FLOW SELECTOR VALVE SPRING P0057						
17	11008106	996530004724	FLOW SELECTOR VALVE CAP P0057						
18	11022791	996530007442	BLACK SLIM/EXSL TUB.BOILER SUPPORT						
19	129573202	996530012921	SCREW TCB TORX 20 M4X8 AUTOFORMING ZN-B						
20	12001033	996530007973	THERMOSTAT ONE SHOT 190°						
21	11001751	996530000997	TUB.BOILER V3 UPPER THERM.FIXING SPRING						
22	12001280	996530008024	SCREW TSP TORX 10 5X20 PLAST.ZN-B						
23	17000346	996530068751	HP/SLIM TUB.BOILER ASSY.	230V-1900W					
24	11004689	996530002484	TEA/BRASS SAFETY VALVE 16-18 BAR ASSY.						
25	149205850	996530018056	BLACK TYPE ULKA PUMP W/BEVEL SUPPORT						
26	12000140	996530007753	ULKA PUMP EP5/S GW	230V-50HZ					
27	17800230	996530068726	2POLES CONNECTOR PUMP CLP UL						
28	17800229	996530068671	3POLES CONNECTOR FLOWMETER CLP UL						
29	NV99.099	996530059843	TURBINE D=1,2 932-8521/00 ASSY.						
30	12000892	996530007947	OETIKER CLAMP D=9,5 16700004						
31	190800100	996530026997	TEMPERATURE SENSOR NTC UL L=280MM						
32	17001440	996530068747	BLK BOILER INSULATING COVER NPR						
33	JS01.022	996530057357	SILICONE TUBE 5X10 60SH	IN ROLL					
34	16000380	996530009505	5X8,9 SILICONE TUBE	IN ROLL					
35	11030357	996530072673	ANT.UPPER BODY HOT WATER DISPENSER NPR/T						
36	12000450	996530007819	SCREW TCBR TORX 10 3,5X12 PLAST.ZN-N						
37	17000006	996530009559	TWO WAY TEFLON TUBES SUPPORT SPRING MYB9						



INTELIA EVO LATTE+

TABLE 4/6



HD8754/11-13-19

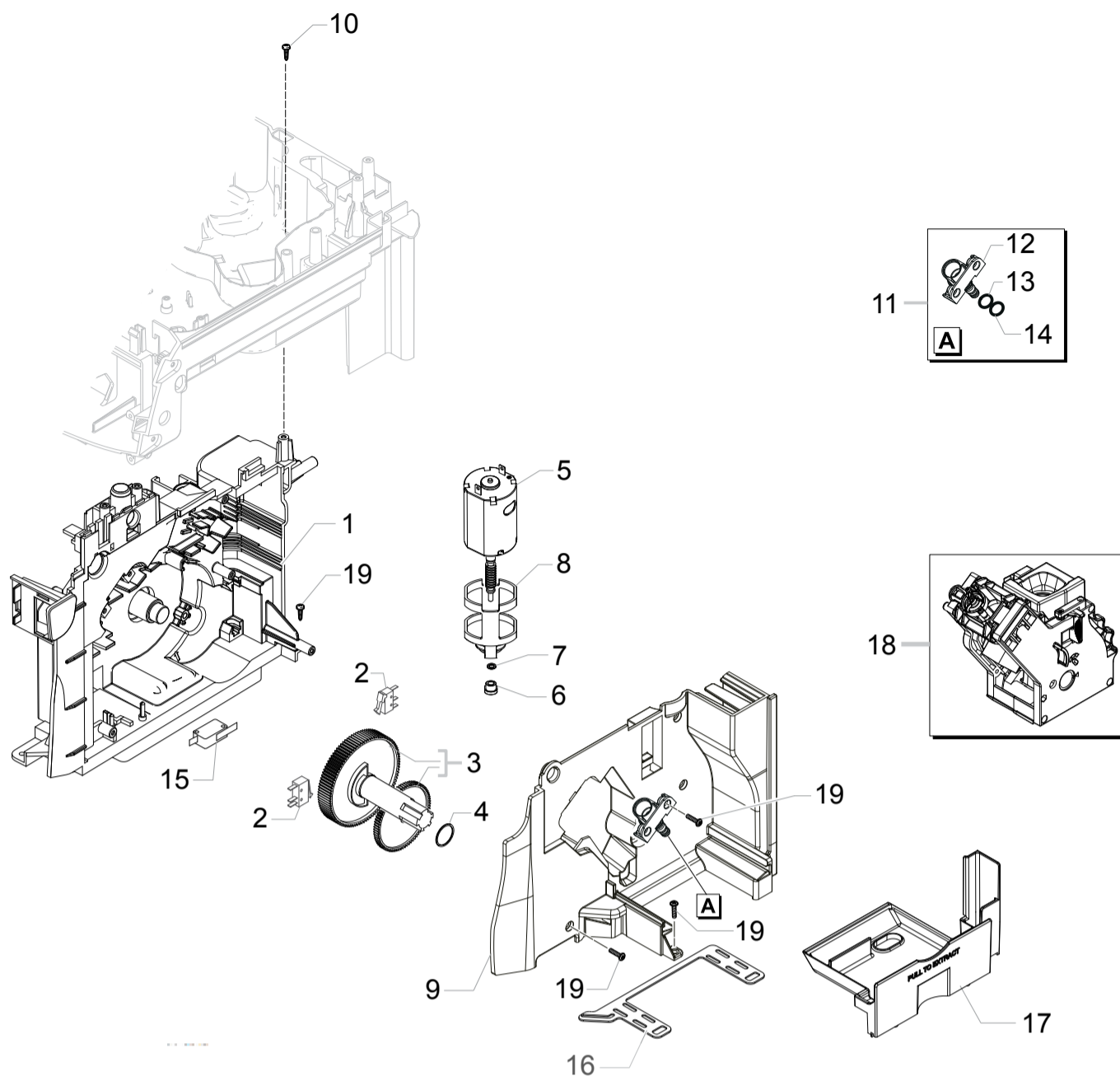
Cod.10004224-25-26

POS	CODE	12NC	DESCRIPTION	NOTE	POS	CODE	12NC	DESCRIPTION	NOTE
01	11010031	996530005586	TEA/ZAMA INCREASE SCREW GRINDER		36	17001921	996530072477	BLK WIRING FIX INSERT FOR GRINDER BOARD	
02	129574802	996530012928	SCREW TCB TORX 20 M4X30 ZN-B			11026298	996530068697	GEN.MOTOR COFFEE GRINDER NPR ASSY.	230V
03	149198250	996530017951	BLK UPPER COFFEEGRINDER GRINDER SUPPORT						
04	140328960	996530013577	OR ORM 0530-15 NBR FDA						
05	146520100	996530016342	BAKED CLAY GRINDER 48X28						
06	11012466	996530006412	BRASS BUSH BEAN CONT.FINGER PROTEC.P0057						
07	149198350	996530017952	BLK LOWER COFFEEGRINDER GRINDER SUPPORT						
08	123030300	996530011183	AXIAL BEARING EKKO 342.35252						
09	140360500	996530013597	FELT RING 45,4X39,4X4						
10	128310402	996530012341	GALV.WASHER UNI 8842 A4						
11	11026355	996530068049	BLK GROUND COFF.OUTLET CONVEYOR V4 ASSY.						
12	11030459	996530072511	GRY GROUND COFFEE CONTLOWER SEAL SMART1						
13	226000300	996530029609	GEAR SX Z=38 FOR GRINDER MOTION ASSY.						
14	11000513	996530000317	MOTOR COFFEEGRINDER V3.1 230V ASSY.						
15	149214800	996530018139	MC V3 MOD=1,25 WORM SCREW CENTRING CAP						
16	129661702	996530012992	SCREW TCB TORX 3,5X30 PLAST.ZN-B						
17	11002873	996530001389	INSULATOR BUSH FOR GRINDER MOTOR P124						
18	11000597	996530000376	COFFEE GRINDER SUPPORT SPRING P124						
19	11014285	996530007058	BLK V2 BEAN CONTAIN.FINGER PROTECT.P0057						
20	128381902	996530012375	STEEL FLAT WASHER DI=4,3 DE=14 SP=1,5						
21	149199050	996530017963	BLK SENSOR SUPPORT FOR COF.GRINDER MOTOR						
22	11000194	996530000115	BLACK COFFEEGRINDER MOTOR SUPPORT P124						
23	181540900	996530022784	ELECTR.BOARD WITH SENSOR HAL506 SF-K						
24	123030200	996530011182	RADIAL BEARING 61900.2RS1						
25	128381800	996530012374	STEEL CRINKLE WASHER 21,8X14X0,25						
26	142905450	996530015258	BLK UPPER BODY WITH COFFEE GROUND OUTLET						
27	17800302	996530068114	3POLES CONNECTOR MC SENSOR NPR UL						
28	11002613	996530001314	LOWER COFFEEGRINDER GEAR SUPPORT P124						
29	11002572	996530001308	COFFEEGRINDER REGULATION SPRING P124						
30	11003784	996530001907	COFFEE GRINDING ADJUSTMENT GEAR P0049						
31	U043.004	996530061808	ZN-B TCB SCREW M4X16						
32	11002508	996530001296	UPPER COFFEEGRINDER GEAR SUPPORT P124						
33	129914002	996530013165	SCREW TCB TORX 10 3,5X16 PLAST.ZN-B						
34	17800301	996530068113	2POLES CONNET.COFFEEGRINDER MOTOR NPR UL						
35	11003446	996530001673	BLACK BEAN COFFEE GRINDER INSERT P0049						



INTELIA EVO LATTE+

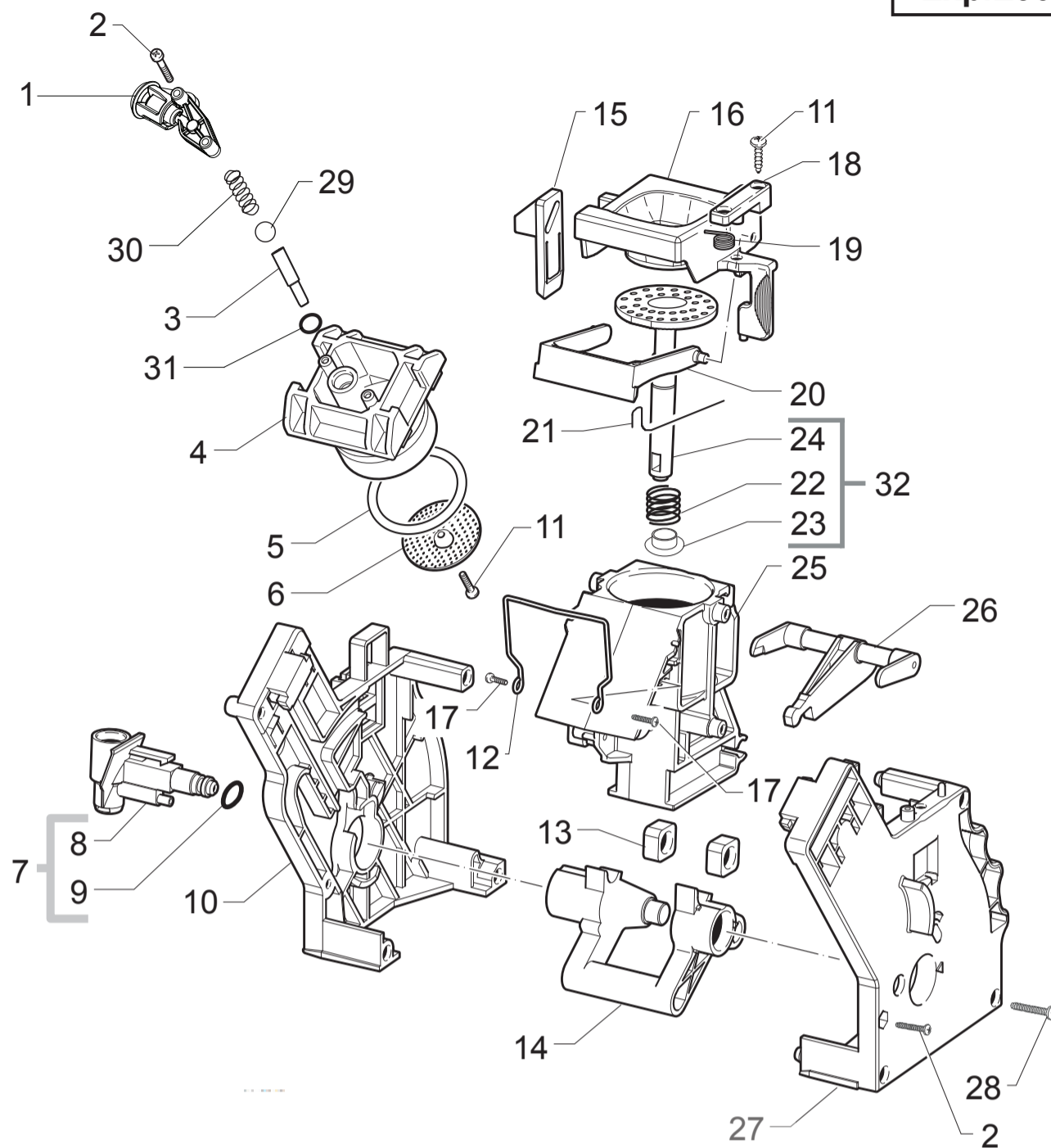
TABLE 5/6



HD8754/11-13-19

Cod.10004224-25-26

POS	CODE	12NC	DESCRIPTION	NOTE	POS	CODE	12NC	DESCRIPTION	NOTE
01	17000366	996530066736	BLK RATIOMOTOR MOUNTING PLATE XSMCASSY.						
02	NE05.038	996530058869	MICROSWITCH SAIA XCG5-81-P5						
03	20000900	996530009913	SPARES KIT GEARS FOR RATIOMOTOR V2						
04	9161.132	996530050569	MYLAR WASHER FOR RATIOMOTOR						
05	11005214	996530002796	MOTOR FOR RATIOMOTOR P124 ASSY.						
06	9121.046	996530049898	BRONZE SINTERED BUSH FOR MOTOR RATIOMOT.						
07	148380200	996530017424	BAKELIZZATE WASHER D=5,5						
08	9121.044	996530049896	ANTIVIBRATION FOR MOTOR						
09	11003754	996530001899	BLK RATIOMOT.MOUNTING PLATE COVER P0057						
10	12000450	996530007819	SCREW TCBR TORX 10 3,5X12 PLAST.ZN-N						
11	11013531	996530006805	PIN FOR FLOW SELECTOR FAUCET P0057 ASSY.						
12	11013530	996530006804	PIN FOR FLOW SELECTOR FAUCET V2 P0057						
13	NM01.035	996530059399	OR ORM 0090-20 SILICONE						
14	NM01.057	996530059419	OR ORM 0050-20 IN SILICONE						
15	NE05.013	996530058847	MICROSWITCH SAIA XGK52-81-J23						
16	17000685	996530072515	BLACK SEAL FOR RATIOMOTOR PLATE NPR						
17	17001336	996530068732	GREY BREW UNIT DRAWER COFFEE NPR						
18	11012382	996530006384	BLACK BREW UNIT 8GR.5BAR P0057						
			SEE EXPL.CODE E90067 NEXT PAGE						
19	12001728	996530070321	SCREW TCBR TORX 10 3,5X12 PLAST.SS						



Cod. 11012382

POS	CODE	12NC	DESCRIPTION	NOTE	POS	CODE	12NC	DESCRIPTION	NOTE
01	11009362	996530005415	BLK COF.OUTLET SLEEVE BREW UNIT S0053 AS						
02	12000550	996530007838	SCREW TCB TORX 10 3X25 PLAST.SS						
03	11009276	996530005372	BLK COUNTER PISTON TUBE BREW UNIT S0053						
04	11001840	996530001046	BLACK COUNTER PISTON BREW UNIT 8GR.P124						
05	NM01.044	996530059406	OR ORM 0320-40 SILICONE PTFE/FDA						
06	9161.268	996530050709	PERCOLATOR DE=35,8 ELFO						
07	20000440	996530009825	BLACK WATER INLET SLEEVE BREW UNIT ASSY.						
08	9161.064.050	996530050488	BLACK WATER INLET SLEEVE BREW UNIT ROYAL						
09	NM02.007	996530059441	OR 2025 IN TERMOIL						
10	9161.375.050	996530050832	BLACK BREW UNIT REAR PLATE SMART						
11	12000895	996530007951	SCREW TSP TORX 10 3X10 PLAST.SS						
12	11001556	996530000898	SS BREW UNIT SPRING H=49 SMART						
13	9161.094.050	996530050539	BLACK BREW UNIT DRILLED BLOCK						
14	9161.066.050	996530050492	BLACK BREW UNIT ELBOW SHAFT M5000						
15	9161.373.050	996530050827	BLACK BREW UNIT COUPLING PLATE SMART						
16	149261350	996530018241	BLACK HOPPER DOSER BREW UNIT SMART1						
17	129912521	996530013148	SCREW TCB TORX 10 3,5X14 PLAST.SS						
18	9161.374.050	996530050829	BLK BREWUNIT HOPPER BLOCKING PLATE SMART						
19	9161.378	996530050838	SS HOPPER SPRING FOR BREW UNIT SMART						
20	11004161	996530002096	BLACK SCRAPER FOR BREW UNIT M5000						
21	9161.046	996530050455	SS SCRAPER SPRING FOR BREW UNIT						
22	9161.198	996530050627	SS.8GR.BREW UNIT PISTON SPRING						
23	9161.191	996530050618	WHITE 8GR.-12GR.BREW UNIT PISTON BUSH						
24	11003077	996530001451	BLK BREW UNIT INTEGRAL PISTON 8GR.ASSY.						
25	11003075	996530001448	BLACK COFFEE CONTAINER BREW UNIT P124						
26	11003078	996530001452	BLACK CONNECTING ROD BREW UNIT 8GR.						
27	11005920	996530003228	BLACK BREW UNIT FRONT PLATE S/SCR.SMART						
28	12000897	996530007953	SCREW TCB TORX 10 3,5X20 PLAST.SS						
29	9991.168	996530051874	GLASS SPHERE D.5 MM						
30	11012095	996530006305	SS COFFEE UNIT CONTERPISTON SPRING S0053						
31	140328761	996530013575	OR ORM 0060-15 TERMOIL						
32	11023086	996530007577	BLK 8GR.BREW UNIT NTEGR.PISTON GEN.ASSY.						
	11012382	996530006384	BLACK BREW UNIT 8GR.5BAR P0057						



BLACK BREW UNIT 8 GR.5 BAR